

XT1086

Constant Coverage Horn

Key Features

- 1 inch Entry
- Unique Eighteen Sound elliptical shape
- Flat front and compact size
- Die-cast aluminum construction for best heat transfer
- Uniform on-axis and off-axis frequency response
- 80° x 60° horizontal and vertical constant coverage
- Improved structure strength by exclusive computer aided vibrational analysis



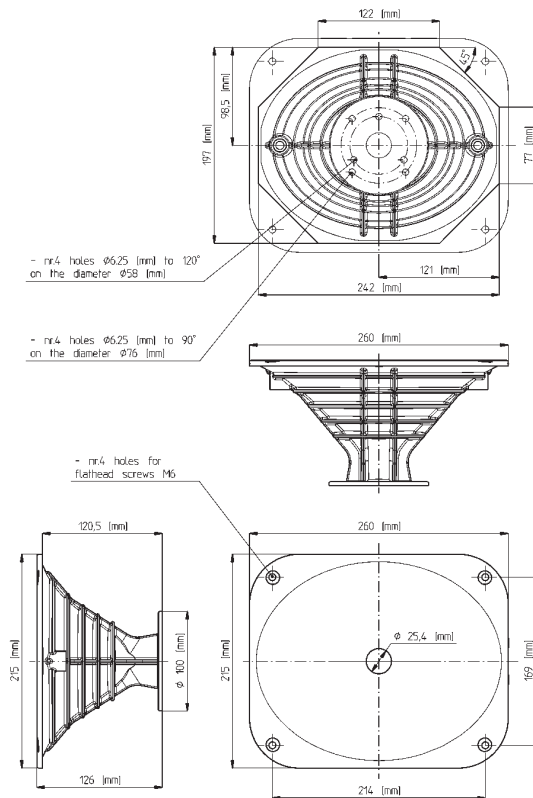
General Description

Featuring the unique Eighteen Sound elliptical shape, the XT1086 Constant Coverage High Frequency Horn has been designed for use in sound systems where the highest sound quality is required. With a 1" throat entry, the XT1086 has been designed to match the Eighteen Sound 1 inch exit high frequency compression drivers perfectly.

The XT1086 maintains nominal 80° Horizontal x 60° Vertical pattern control. It provides consistent on-axis and off-axis frequency response from 1,4kHz to 16kHz in the horizontal plane and from 1,5kHz to 16kHz in the vertical plane. Horn directivity is constant from 1,4kHz. Thanks to its compact vertical mouth dimension, the XT1086 can easily be staked vertically when lower frequency control is required.

The main innovation that the XT1086 introduces, is the improved external shape, providing high structural rigidity. This has been developed using exclusive a computer aided vibration analysis system. This product provides low distortion and a spherical wave-front, avoiding reflections and other disadvantages usually associated with diffraction horns. The die-cast aluminum construction provides optimum heat transfer, lowering the driver power compression and improving its general power handling capability.

0421086000



CONSTANT COVERAGE HORNS

XT1086

Constant Coverage Horn

CONSTANT COVERAGE HORNS

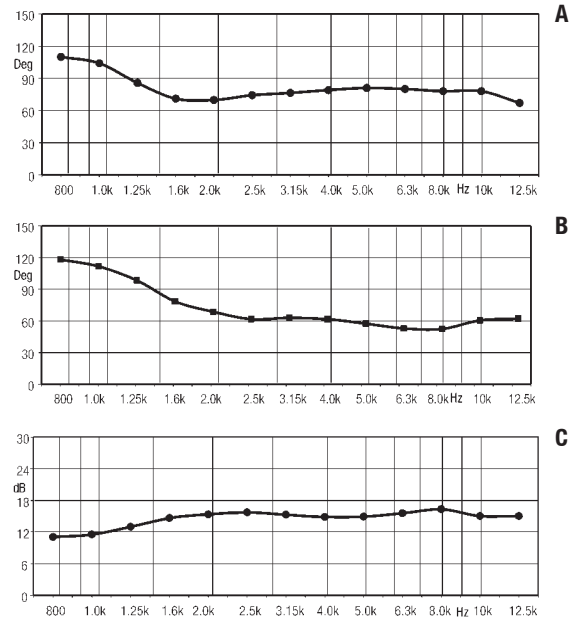
GENERAL SPECIFICATIONS

THROAT DIAMETER	25,4 mm (1 in)
HORIZONTAL COVERAGE (-6DB)	80° (1, -8) average range(1,6kHz - 12,5kHz)
VERTICAL COVERAGE (-6 DB)	60° (18, -7) average range(1,6kHz - 12,5kHz)
DIRECTIVITY INDEX	15 dB (1,3 -0,4) average range(1,6kHz - 12,5kHz)
USABLE FREQUENCY RANGE	Above 800 Hz
RECOMM. CROSS. FREQUENCY	1200 Hz or more
SENSITIVITY (ON AXIS) (1)	110 dB
FREQUENCY RANGE	1200 Hz ÷ 18kHz

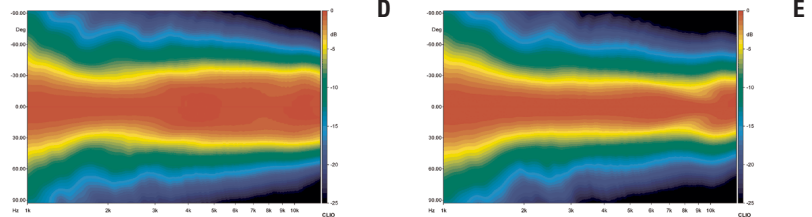
MOUNTING INFORMATION

Mouth Height	215 mm (8,5 in)
Mouth Width	260 mm (10,2in)
Depth	126 mm (5 in)
Mouth Mounting Dimensions	4 ø 6 holes on the edge of rectangle with 214 mm x 169 mm (8,43 x 6,65 in) sides
Net weight	1 Kg (2,20 lb)

XT1086 HORIZONTAL BEAMWIDTH – A
XT1086 VERTICAL BEAMWIDTH – B
XT086 DIRECTIVITY INDEX – C



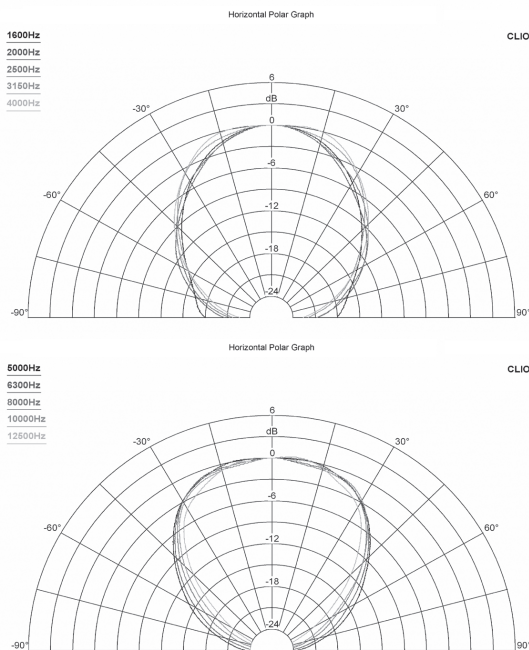
HORIZONTAL POLAR DIRECTIVITY MAP – D
VERTICAL POLAR DIRECTIVITY MAP – E



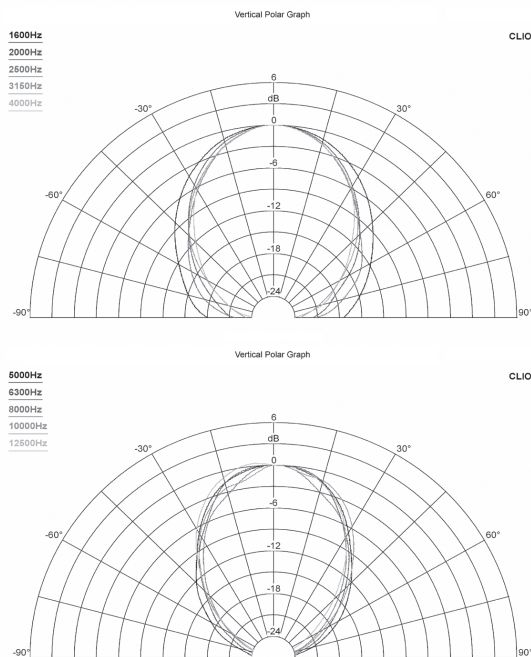
NOTES

(1) Sensitivity is measured at 1W input on ND1090 compression driver rated impedance at 1m on axis from the mouth of XT1086 averaged between 1kHz and 4 kHz.

XT1086 HORIZONTAL 1/3 OCTAVE POLARS



XT1086 VERTICAL 1/3 OCTAVE POLARS



Eighteen Sound engages in research and product improvement. New materials and design refinements can be introduced into existing products without notice.

